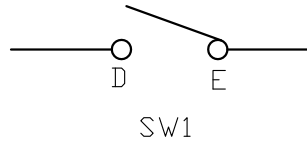
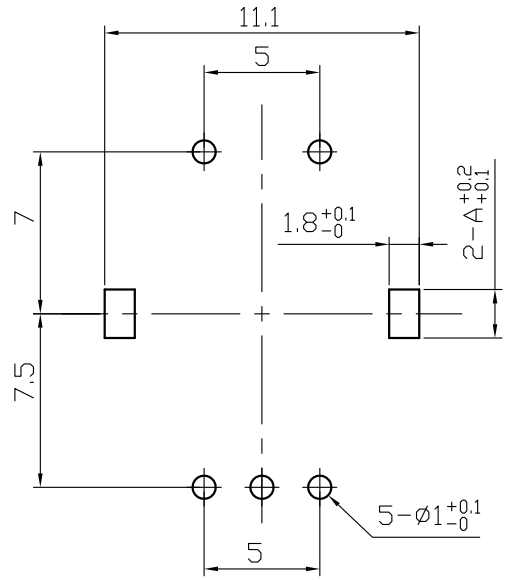


A	2.0	2.5
---	-----	-----



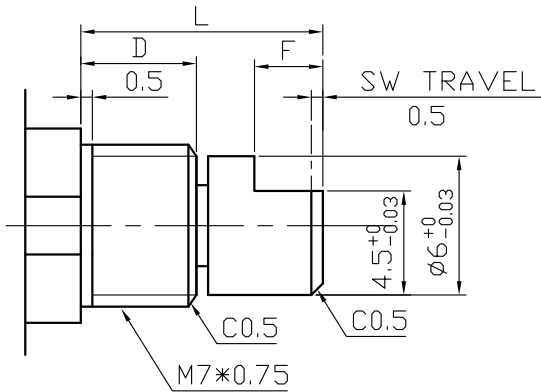
D	3.5	5	7
---	-----	---	---



P.C.B.MOUNTING DETAIL

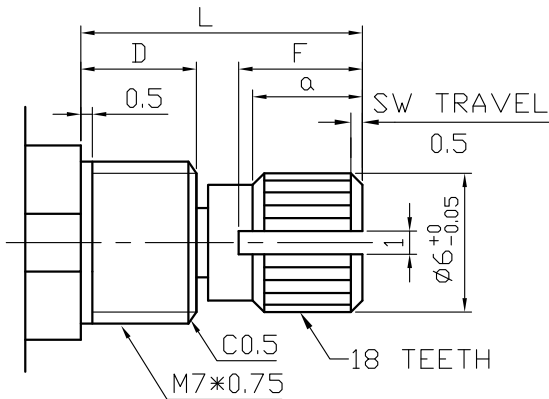
D-TYPE

L	F
10	4
12	5
15	7
20	10



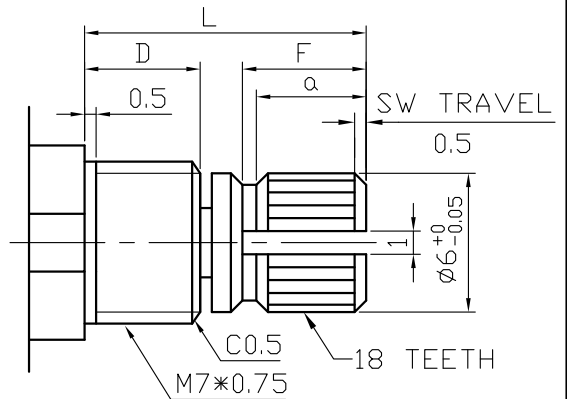
F-TYPE

L	F	α
10	3.5	3.5
12	5	5
15	6	6
20	10	10



E-TYPE

L	F	α
10	3.5	2.5
12	5	4
15	6	5
20	11	10



VERSION	MODEL: EC11M-				DRAW	SCALE
A0	DRAWING NO:					3:1
. ISSU.	DATE	REVISION	Design	TOL. UNLESS OTHERWISE SPEC.	CHKD	UNIT
00	2012-03-02	ORIGINAL DRAWING		BASIC DIMENSIONS		mm
01				L ≤ 10	± 0.3	
02				10 < L	± 0.5	APPD
03				100 ≤ L	± 0.8	
04				ANGLE	± 5°	第 1 页