



## Feature

1. Superior operational feeling free from gaps in operating directions  
Ideal for finger-tip operation.
2. Integrated tact switch for selection contributes to the improvement of user-friendliness of the set.
3. Long Life Type Available.

## FJP10K Series Joystick Potentiometer

### Electrical characteristics

- Total Resistance.....5K  $\Omega$  ~100K  $\Omega$
- Total Resistance Tolerance..... $\pm 20\%$
- Resistance Taper.....B taper
- Rated Power.....Taper B:0.0125W
- Withstand Voltage.....1 minute at AC 250V
- Insulation Resistance.....More than 100M  $\Omega$  at DC 250V for 1 minute
- Max. Operating Voltage.....Taper B:AC 50V or DC 5.0V

### Mechanical characteristics

- Figure of Lever Operation.....Circular Operating
- Stopper Strength .....3.1Kgf.cm Min 3Sec.
- Operating Angle of Lever..... $66^\circ \pm 6^\circ$
- Push-Pull Strength.....Push/Pull:5.0Kgf Min 3Sec.
- Operating Force.....160 $\pm$ 40gf.cm
- Accuracy of Rest Position..... $\pm 5^\circ$

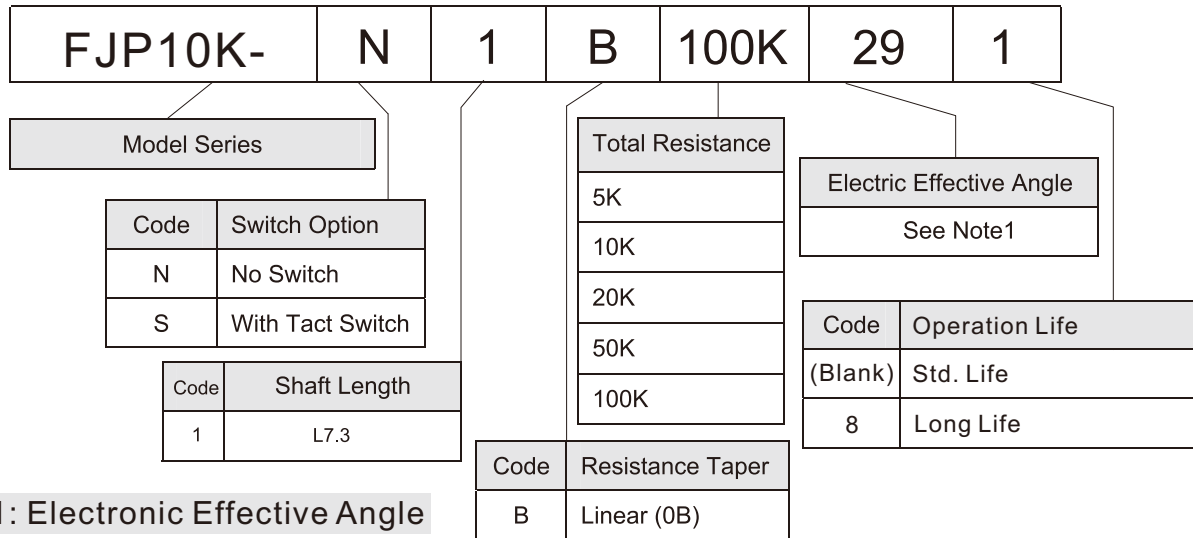
### Durability

- Operating Life.....Standard Life: 1Million Cycles min  
Long Life: 2 Million Cycles min
- Operating Temperature Range.....-10 $^\circ$ C ~ +70 $^\circ$ C

### Tact Switch specification

- Ratings.....12 V DC, 50 mA
- Operating Force.....820 $\pm$ 260gf
- Travel.....0.5+0.5/-0.4mm
- Operating Life.....100,000 Cycles min

### HOW TO ORDER



### Note 1: Electronic Effective Angle

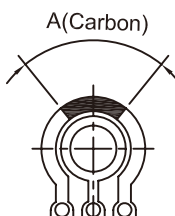
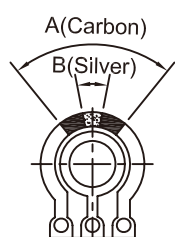
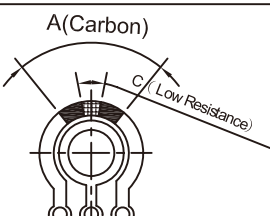
ANGLE A		Code	ANGLE A		Code	ANGLE A		Code
15°		e5	45°		B5			
20°		d0	50°		C0			
25°		d5	53°		C3			
28°		d8	55°		C5			
30°		A0	60°		D0			
32°		A2	65°		D5			
35°		A5						
38°		A8						
40°		B0						

ANGLE A		Code		ANGLE A		Code		ANGLE A		Code	
60°	6°	01		30°	6°	11		40°	6°	20	
38°	6°	03		50°	8°	12		25°	12°	22	
38°	8°	04		85°	8°	13		35°	6°	26	
50°	6°	05		100°	8°	14		40°	3°	30	
53°	6°	06		80°	10°	15		147°	3°	32	
45°	3°	07		60°	10°	16		70°	6°	33	
32°	3°	08		25°	6°	17		28°	6°	34	
53°	8°	09		50°	3°	18		35°	8°	35	
45°	5°	10		45°	15°	19		42°	8°	44	

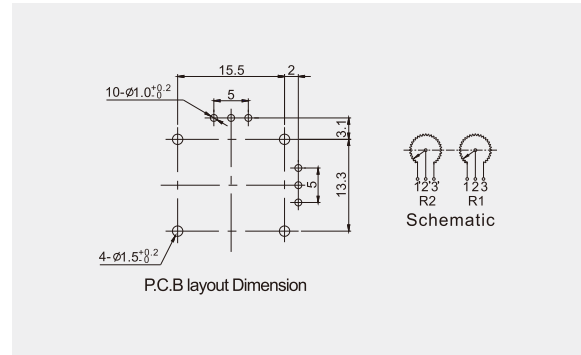
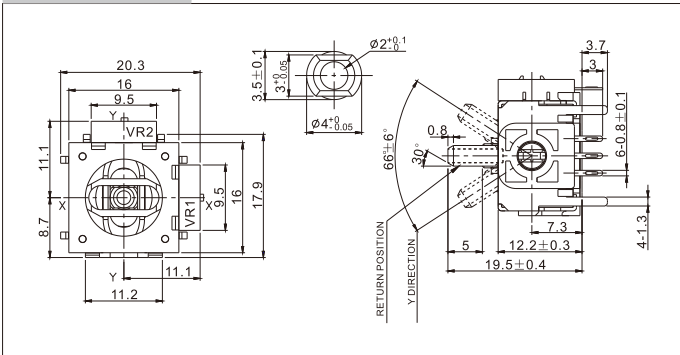
  

ANGLE A		Code		ANGLE A		Code		ANGLE A		Code	
45°	12°	25		35°	8°	38		45°	10°	54	
38°	8°	27		50°	6°	42		35°	5°	60	
45°	5°	28		40°	6°	43		54°	6°	59	
60°	5°	29		53°	10°	47		60°	10°	66	
40°	12°	31		30°	8°	53		32°	6°	71	

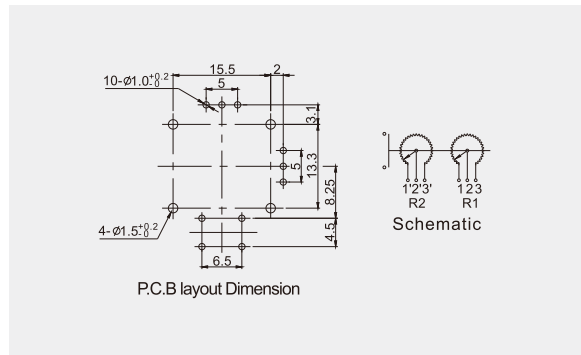
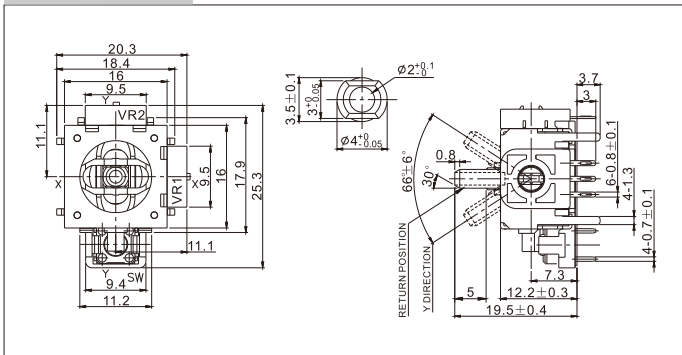




碳膜层 (Carbon)	硫化层 (Anti-Sulfurated)	银层 (Silver)	低碳层 (Low Resistance)
--------------	-----------------------	-------------	----------------------

**FJP10K-N1** Plastic Shaft, No Switch, PC Pins



**FJP10K-S1** Plastic Shaft with Tact Switch, PC Pins



Joystick